

TOZEN - AYVAZ

Compensator flexibil din cauciuc

FLEXIBLE RUBBER JOINT
TYPE 10-FLEX

Rezistent la presiuni ridicate.
Poate rezista la presiune de 570 psi si presiunea normala este de 150 psi.
Poate lucra si sub conditii de 500 mmHG
Rezistent la temperaturi:
Poate rezista la apa fierbinte. De aceea este utilizat la conducte cu apa fierbinte.
Vibratii-sunete absorbite:
Poate absorbi vibratii si sunete cu ajutorul structurii sale.

High pressure resistant:

TOZEN - AYVAZ Rubber Joint can resist to 570 psi bust pressure and 150 psi normal inside pressure.

It also works under 500 mmHg vacuum conditions.

Temperature resistant:

TOZEN - AYVAZ Rubber Joint can resist hot water more than natural rubbers. That's why they are usable for hot water lines.

Vibration - noise absorption:

TOZEN - AYVAZ Rubber Joint can absorb vibration and noise by the help of its own soft scalet structure. Other features:

- Absorb the movements on line
- Absorb waterhammer
- Floating flanges are available for easy connections.
- No need for gasket.



Aplicatii

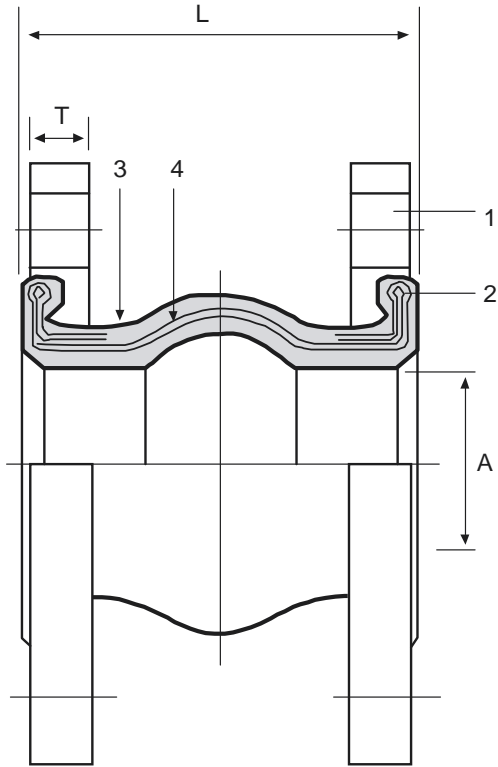
Aer conditionat
Sisteme de conducte
Masini de energie
Air conditioning
Compressors
Pipe - lines
Drain - lines
Pump outlets / inlets
Hot air lines
Chemical plants
Industrial plants
Power machines

Instalare / Installation

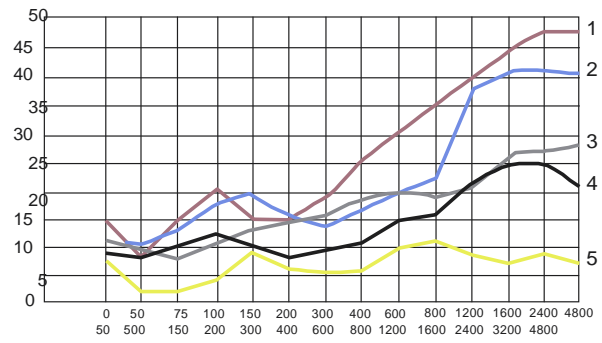
Compresorul din cauciuc trebuie montat orizontal pentru fuctionare corecta

The Rubber Joints should be fitted horizontally for proper working.

Compensator din cauciuc / FLEXIBLE RUBBER JOINT TYPE 10-FLEX



Controlul zgomotelor CONTROL OF NOISE BY RUBBER JOINTS



- 1- Tabelul rosu / Red chart:
expansiunea cauciucului / Rubber expansion joint
- 2- Tabelul albastru / Blue chart:
Expansiunea compresorului
din fier / Stainless steel
expansion joint
- 3- Tabelul gri / Gray chart:
- 4- Tabelul negru / Black chart:
- 5- Tabelul galben / Yellow chart:
In interiorul conexiunii / Inside
connected spiral metal hose